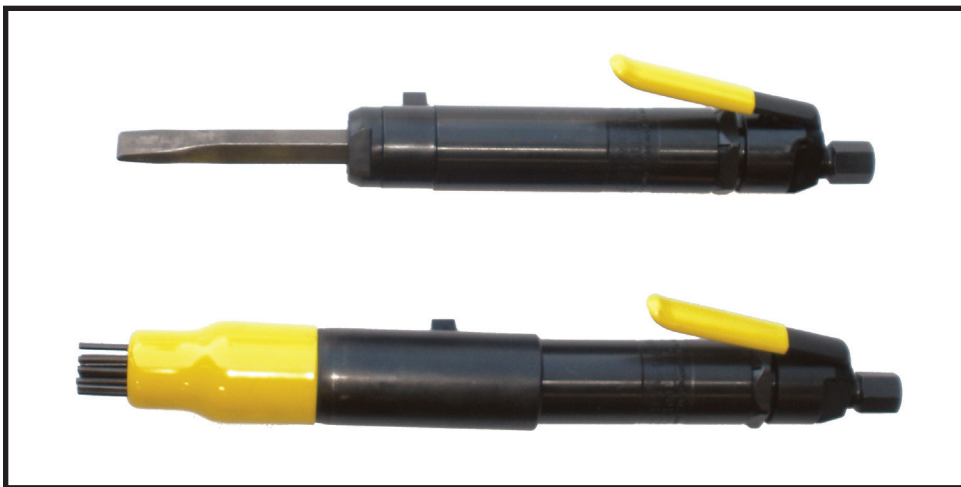


# **TX1B**

## **NEEDLE / CHISEL SCALERS**



### *Features*

- ◆ Made in U.S.A.
- ◆ Super quality heat treated parts for durability
- ◆ Tools have been proven in thousands of applications
- ◆ Hundreds of thousands of these tools are in the field
- ◆ Completely convertible from needle to chisel scaler & vice versa

### *Applications*

- ◆ De-rusting and cleaning of metals
- ◆ Peening of welded joints
- ◆ Cleaning welding slag
- ◆ Removing paint, rust and dirt
- ◆ Chipping stone, concrete and brick
- ◆ Needle scalers adjust to any surface contour automatically

TOOL  
SPECIFICATIONS

| PART #   | WEIGHT       | SHIPPING WT.<br>BOX OF 6 | LENGTH            | CFM<br>CONSUMED | BORE | STROKE | BPM  | INLET   | MINIMUM<br>HOSE SIZE |
|--|--------------|--------------------------|-------------------|-----------------|------|--------|------|---------|----------------------|
| <b>TX1B-LTCS</b>   | 4 lb. 10 oz. | 30 lb. 3 oz.             | 15" w/ chisel     | 12 CFM          | 1"   | 1-1/8" | 4600 | 1/4"NPT | 3/8"                 |
| <b>TX1B-LTNS</b>   | 6 lb. 4 oz.  | 40 lb.                   | 17" w/ 5" needles | 12 CFM          | 1"   | 1-1/8" | 4600 | 1/4"NPT | 3/8"                 |
| STANDARD WELD FLUX SCALERS: Model TX1B   |              |                          |                   |                 |      |        |      |         |                      |
| STANDARD EQUIPMENT:    With Needle Scaler:    1 set 5" Scaler Needles<br>With Weld Flux Scaler:    1 7" Flat Chisel  |              |                          |                   |                 |      |        |      |         |                      |
| DESCRIPTIVE SUFFIXES FOLLOWING "B" TO FURTHER DESCRIBE TOOL:<br>LT = Lever Throttle    PT = Push Type Throttle    NS = Needle Scaler    CS = Chisel Scaler |              |                          |                   |                 |      |        |      |         |                      |

~ Made in U.S.A. ~

[www.airtools.com](http://www.airtools.com)

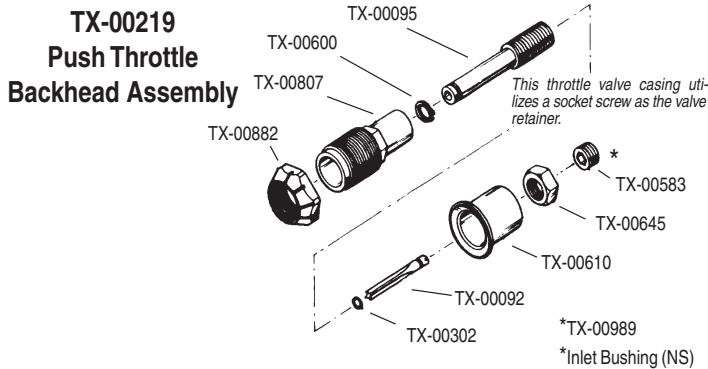
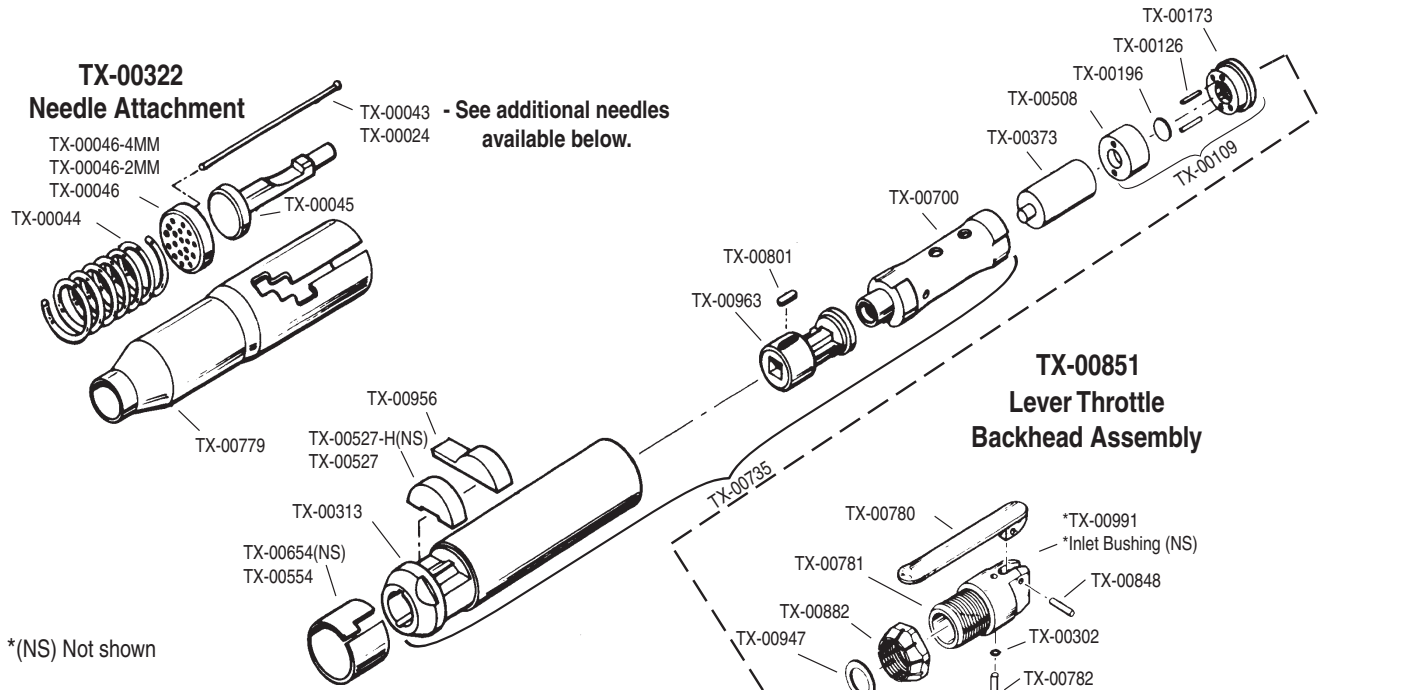
[Email: tptinfo@airtools.com](mailto:tptinfo@airtools.com)

**TEXAS**  
1-800-231-9740  
254-587-2533 (Int'l calls)

**NEVADA**  
1-800-858-1222

**VIRGINIA**  
1-800-626-1091

# TX1B Needle / Chisel Scalers



## Part List

| PART #       | DESCRIPTION   |
|--------------|---|
| TX-00024     | 7" STEEL SCALER NEEDLE  |
| TX-00043     | 5" STEEL SCALER NEEDLE  |
| TX-00044     | NEEDLE SPRING   |
| TX-00045     | NEEDLE DRIVER   |
| TX-00046     | NEEDLE HOLDER   |
| TX-00046-2MM | 2MM NEEDLE HOLDER   |
| TX-00046-4MM | 4MM NEEDLE HOLDER   |
| TX-00078     | THROTTLE VALVE SPRING   |
| TX-00092     | THROTTLE VALVE PUSH TYPE (Includes TX-00302)                  |
| TX-00095     | THROTTLE VALVE CASING (Includes TX-00583)                     |
| TX-00109     | VALVE BLOCK ASSEMBLY (TX-00508, TX-00173, TX-00196, TX-00126) |
| TX-00126     | VALVE BLOCK DOWEL PIN   |
| TX-00173     | VALVE BLOCK BUTTON  |
| TX-00196     | FLUTTER VALVE   |
| TX-00207     | THROTTLE VALVE CAP  |
| TX-00219     | PUSH THROTTLE BACKHEAD ASSEMBLY (As shown)                    |
| TX-00302     | THROTTLE VALVE "O" RING                                       |
| TX-00313     | TX1B BARREL   |
| TX-00322     | ROUND NEEDLE ATTACHMENT (As shown - 5" needles standard)      |
| TX-00373     | PLUNGER   |
| TX-00508     | VALVE BLOCK   |
| TX-00519     | NEEDLE SET (19 - 5" x .125)                                   |
| TX-00527     | RETAINER BUFFER   |
| TX-00527-H   | RETAINER BUFFER (Heavy Duty)                                  |
| TX-00554     | RETAINER CLIP   |
| TX-00583     | SOCKET SCREW - VALVE RETAINER                                 |
| TX-00600     | THROTTLE VALVE SNAP RING                                      |
| TX-00610     | CONTROL VALVE HANDLE  |
| TX-00636     | THROTTLE VALVE CAP GASKET                                     |
| TX-00645     | THROTTLE VALVE CASING LOCK NUT                                |
| TX-00654     | DOUBLE RETAINER CLIP (Heavy Duty)                             |
| TX-00700     | CYLINDER SLEEVE   |
| TX-00719     | NEEDLE SET (19 - 7" x .125)                                   |
| TX-00735     | BARREL ASSEMBLY (TX-00700, TX-00963, TX-00801, TX-00313)      |
| TX-00779     | ROUND NEEDLE TUBE   |
| TX-00780     | THROTTLE LEVER (5/16" SLOT)                                   |
| TX-00781     | BARE LEVER TYPE BACKHEAD (5/16" SLOT)                         |
| TX-00782     | THROTTLE VALVE (INCLUDES "O" RING)                            |
| TX-00801     | TOOL NOSE KEY   |
| TX-00807     | BARE PUSH TYPE BACKHEAD                                       |
| TX-00848     | THROTTLE LEVER PIN  |
| TX-00851     | LEVER TYPE BACKHEAD ASSEMBLY (As shown)                       |
| TX-00882     | BACKHEAD LOCK RING  |
| TX-00947     | BACKHEAD POSITIONING SPACER                                   |
| TX-00956     | RETAINER  |
| TX-00963     | TOOL NOSE   |
| TX-00989     | P/T INLET BUSHING 1/4" x 1/4"                                 |
| TX-00991     | L/T INLET BUSHING 3/8" x 1/4"                                 |

## Chisels Available for TX1B:



| ARROW # | MODEL #   | DESCRIPTION                    |
|---------|-----------|--------------------------------|
| 632     | TX-00047  | 7" FLAT CHISEL (3/4" W)        |
| 634     | TX-00048  | 6-1/2" SPOON CHISEL (1-3/8" W) |
| 633     | TX-00049  | 6-1/2" FLAT CHISEL (1-3/8" W)  |
| 631     | TX-00050  | 7" HARDENED BLANK CHISEL       |
| 632-12  | TX-00051N | 12" FLAT CHISEL (3/4" W)       |
| 633-12  | TX-00051W | 12" FLAT CHISEL (1-3/8" W)     |
| 634-12  | TX-00052  | 12" SPOON CHISEL (1-3/8" W)    |
| 632-18  | TX-00054N | 18" FLAT CHISEL (3/4" W)       |
| 633-18  | TX-00054W | 18" FLAT CHISEL (1-3/8" W)     |
| 634-18  | TX-00055  | 18" SPOON CHISEL (1-3/8" W)    |
| 635     |           | 7" SCRAPER CHISEL (2" W)       |

## Needles Available For All Models:

| MODEL #  | DESCRIPTION                             |
|----------|---|
| TX-00018 | 5" x .125 STAINLESS STEEL SCALER NEEDLE |
| TX-00019 | 7" x .125 STAINLESS STEEL SCALER NEEDLE |
| TX-00024 | 7" x .125 STEEL SCALER NEEDLE           |
| TX-00043 | 5" x .125 STEEL SCALER NEEDLE           |
| TX-00057 | 7" x .078 (2MM) STEEL SCALER NEEDLE     |
| TX-00058 | 7" x .117 (3MM) STEEL SCALER NEEDLE     |
| TX-00059 | 7" x .157 (4MM) STEEL SCALER NEEDLE     |
| TX-00119 | 5" x .125 BERYLLIUM COPPER NEEDLE       |
| TX-00120 | 7" x .125 BERYLLIUM COPPER NEEDLE       |