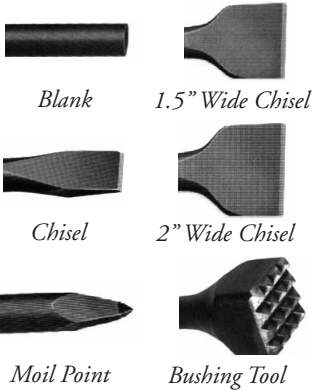


TEXAS PNEUMATIC TOOLS, INC.

4-BOLT CHIPPING HAMMERS

Chipping Hammer Steel Available



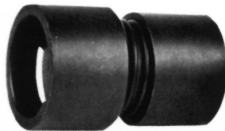
Many other lengths and blade sizes available



Tool sold as pictured.

Features

- ◆ 4 Bolt design for longer handle life
- ◆ Deluxe Quick Change Retainer for ease in replacing chisels
- ◆ Hose swivel so hose tracks operator movement
- ◆ Lubricator to enhance tool life and reduce maintenance
- ◆ Rugged construction for heavy industrial use
- ◆ Made in U.S.A.



1291

Model 1291 Deluxe Quick Change Retainer is designed for rapid changing of tools without removal of retainer from hammer barrel. Works with both oval and round collar chisels.

TOOL SPECIFICATIONS

MODEL #	WEIGHT	LENGTH	CFM CONSUMED	BORE	STROKE	BPM	MINIMUM HOSE SIZE
TX-CH2-4B	18 lbs. 8.2 kg	14-1/2" 368 mm	33 CFM 935 l/min	1-1/8" 29 mm	2" 51 mm	2100	1/2" 13 mm
TX-CH3-4B	19 lbs. 8.6 kg	15-1/2" 394 mm	34 CFM 963 l/min	1-1/8" 29 mm	3" 76 mm	1650	1/2" 13 mm
TX-CH4-4B	20 lbs. 9.1 kg	16-1/2" 419 mm	35 CFM 991 l/min	1-1/8" 29 mm	4" 102 mm	1375	1/2" 13 mm

~ Made in U.S.A. ~

www.airtools.com

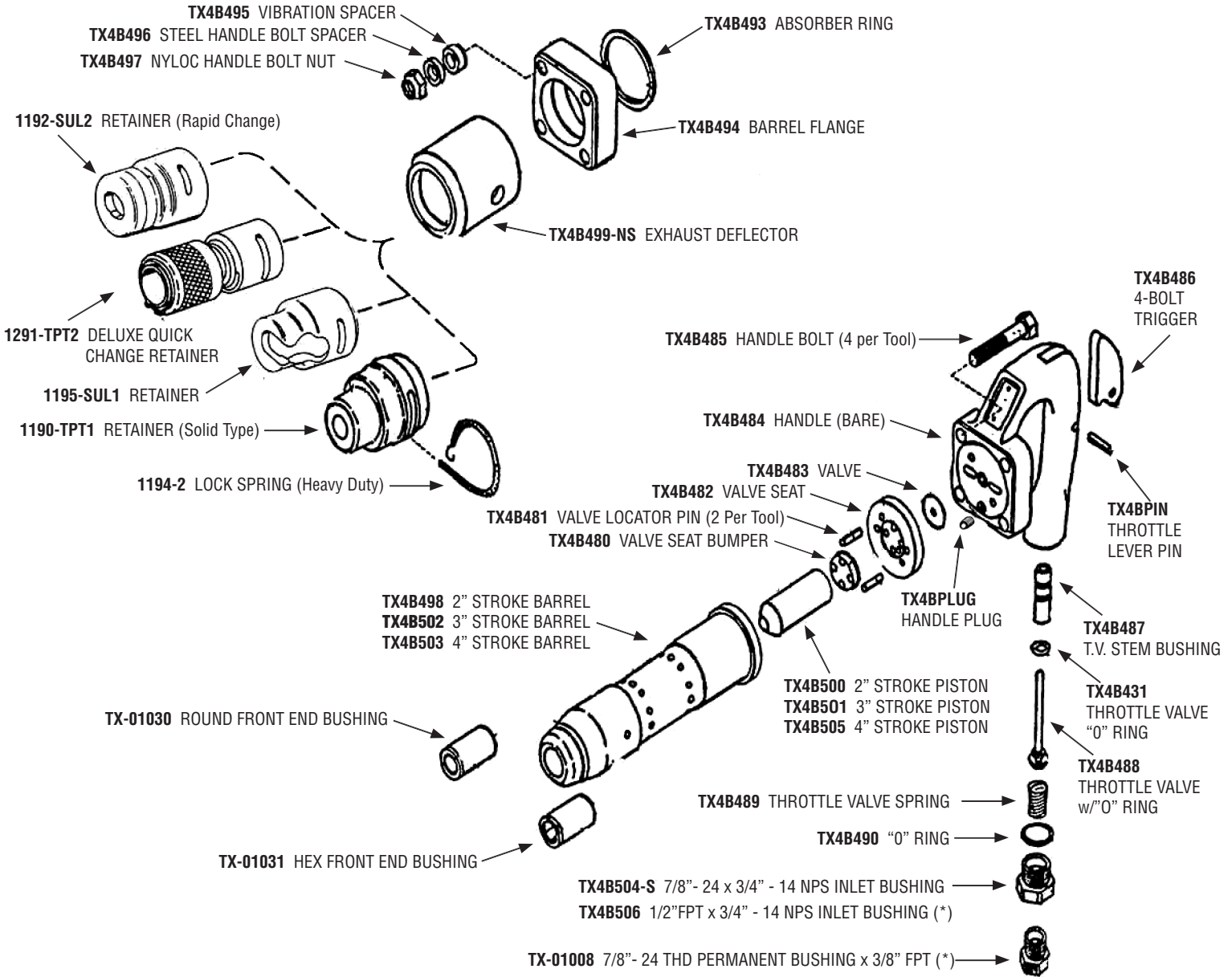
Email: tptinfo@airtools.com

TEXAS
1-800-231-9740
254-587-2533 (Int'l calls)

NEVADA
1-800-858-1222

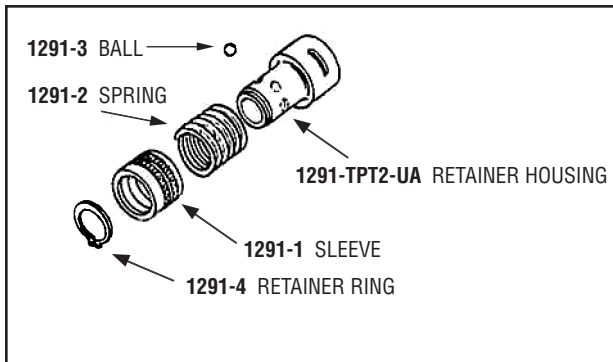
VIRGINIA
1-800-626-1091

4-BOLT CHIPPING HAMMERS



(*) optional - not included with tool

1291-TPT2 DELUXE QUICK CHANGE RETAINER



TEXAS PNEUMATIC HOSE WHIP SIZES FOR

TX-CH2-4B, TX-CH3-4B & TX-CH4-4B

- TX-2HW** 3/8" MPT INTO PERMANENT BUSHING (TX-01008)
- TX-4HW** HOSE SWIVEL 7/8"-24 INTO HANDLE (included with tool)

MANIFOLD AIR TO SEVERAL CHIPPING HAMMERS

- TX-2AMF** 15 GALLON, 8 OULET
- TX-3AMF** 2.5 GALLON, 4 OULET

MOISTURE FREE AIR

- TX-MSS-400** 400 CFM MOISTURE SEPARATING SYSTEM
- TX-MSS-800** 800 CFM MOISTURE SEPARATING SYSTEM

SAFETY LOCK THE HOSE CONNECTIONS

- TX-SLC1** SAFETY LOCK CABLE FOR 1/2" - 1-1/4" HOSE
- TX-SLC2** SAFETY LOCK CABLE FOR 1-1/2" - 3" HOSE

KEEP TOOLS RUNNING SMOOTH

- TX-TF001** AIR TOOL FLUSH
- TX-PL001** AIR TOOL OIL