

TEXAS PNEUMATIC TOOLS, INC.

Service, Operation AND Parts Manual

4-BOLT CHIPPING HAMMER



TOOL
SPECIFICATIONS

MODEL #	WEIGHT	LENGTH	CFM CONSUMED	BORE	STROKE	BPM	MINIMUM HOSE SIZE
TX-CH2-4B	18 lbs. 8.2 kg	14-1/2" 368 mm	33 CFM 935 l/min	1-1/8" 29 mm	2" 51 mm	2100	1/2" 13 mm
TX-CH3-4B	19 lbs. 8.6 kg	15-1/2" 394 mm	34 CFM 963 l/min	1-1/8" 29 mm	3" 76 mm	1650	1/2" 13 mm
TX-CH4-4B	20 lbs. 9.1 kg	16-1/2" 419 mm	35 CFM 991 l/min	1-1/8" 29 mm	4" 102 mm	1375	1/2" 13 mm

~ Made in U.S.A. ~

www.airtools.com

Email: tptinfo@airtools.com

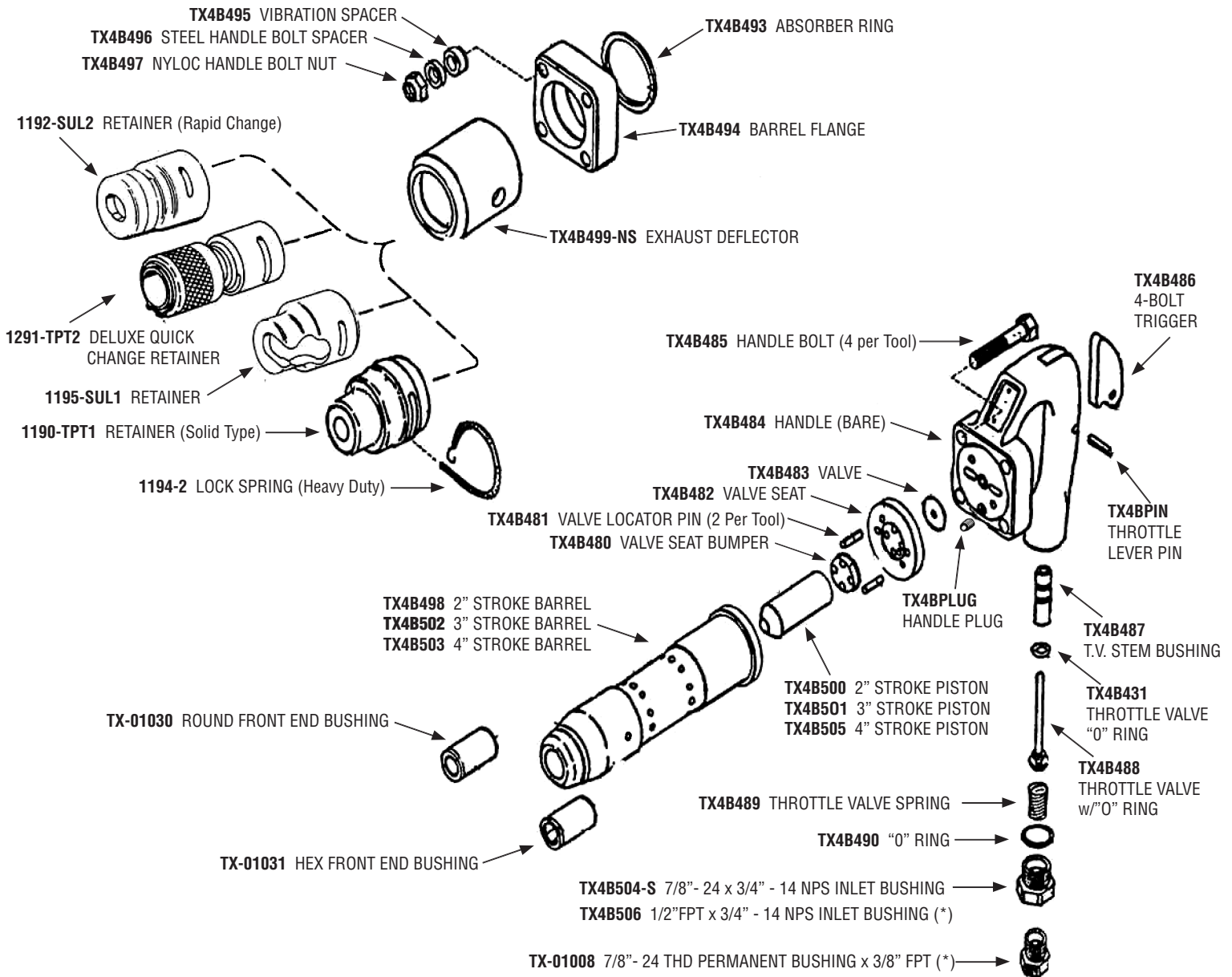
TEXAS
1-800-231-9740
254-587-2533 (Int'l calls)

NEVADA
1-800-858-1222

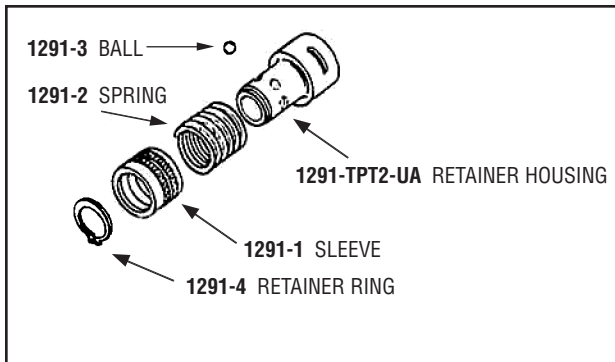
VIRGINIA
1-800-626-1091

MICHIGAN
1-877-575-5733

4-BOLT CHIPPING HAMMERS



1291-TPT2 DELUXE QUICK CHANGE RETAINER



(*) optional - not included with tool

Service and Operations

AIR SUPPLY

For efficient performance, a regulated supply of clean, dry air is required (90 psi at the tool). Most air tools will give superior service if the air is moisture free and lubricated, plus down time will be minimized. If the compressor is pumping excessive water, a cooler or moisture separator (TX-MSS-400 or TX-MSS-800) should be attached to the compressor or air line. A filter, pressure regulator and Texas Pneumatic in-line lubricator (TX-0L) should be part of the air line system to the tool. The air supply line should be a minimum 1/2" I.D, hose with no restrictive couplings or fittings in the hose line. If quick disconnect air couplings are used, they should definitely be separated from the tool by the use of a hose whip (TX-4HW) which is included with the purchase of the tool.

LUBRICATION

An in-line lubricator such as the Texas Pneumatic TX-0L is recommended and included with the tool. If an automatic lubricator is not used, it is recommended before using and after 2-3 hours use, to pour several drops of oil into the air inlet port. Texas Pneumatic Lubricating Oil (TX-PL001) or 5 wt. oil of good grade is recommended. A heavy oil will cause loss of power and efficiency. In the matter of preventative maintenance, Texas Pneumatic Tool Flush (TX-TF001) or similar solvent can be used to flush the tool. Add a couple of teaspoons to the air inlet port and operate the tool for a few seconds. It may be necessary to do this several times. The above should be done anytime the tool becomes sluggish or erratic or stops working. Flushing of the tool will most likely remove any foreign particles. After flushing and always before storage (this is most important if the air line has excessive moisture), the tool should be re-lubricated to prevent rust which will cause the tool to malfunction.

PREPARING FOR OPERATION

The Texas Pneumatic 4-Bolt Chipping Hammers use Arrow Tools round or hex shank chisels or points with either oval or round collars. Select the type of chisel or point (round or hex shank) that corresponds to the Front End Bushing (TX-01030 or TX-01031) in the tool. The tools typically come with a Deluxe Quick Change Retainer (1291 -TPT2) when shipped from the factory. These retainers will accept oval or round collar chisels or points. If a Standard Retainer (1190-TPT1) is used, it must correspond to the collar on the chisel. The retainer for a round collar will be denoted by an "R" in the retainer number (i.e. 1190R-TPT1).

All retainer types are held onto the barrel of the chipping hammer with a Lock Spring (1194-2). When using the Deluxe Quick Changer Retainer (1291 -TPT2), it is not necessary to remove the retainer from the barrel to change the chisel. The Sleeve (1291-1) on the retainer is simply pulled toward the tool. The Balls (1291-3) on the retainer will move out of position and allow the chisel to be removed or inserted. When using a Standard Retainer (1190 or 1190R), to replace the chisel, it is necessary to remove the Lock Spring (1194-2) from the groove in order to remove the retainer from the tool.

Once the proper chisel or point has been installed and the tool is ready for use, it is important to follow these safety precautions:

1. Wear eye and ear protection.
 2. Wear safety shoes and proper clothing.
 3. Keep both hands on the tool while operating.
 4. The tool should be kept firmly against the work surface when operating.
 5. Do not allow the tool to bounce against the work surface when operating.
 6. Failure to operate the tool firmly against the work surface (dry fire) will result in damage or breakage to the tool or chisel.
 7. **Never** point a tool at someone during operation.
 8. Disconnect air supply before replacing chisels.
-

4-BOLT CHIPPING HAMMERS

TEXAS PNEUMATIC ARROW TOOL LINE

COMMONLY USED CHISELS (MANY OTHER LENGTHS & BLADE SIZES AVAILABLE):

.680 ROUND SHANK / OVAL COLLAR

<u>ARROW #</u>	<u>DESCRIPTION</u>
1101	9" CHISEL
1108	12" CHISEL
1180	9" MOIL POINT
1182	12" MOIL POINT

.580 HEX SHANK / OVAL COLLAR CHISELS

<u>ARROW #</u>	<u>DESCRIPTION</u>
1107	9" CHISEL
1109	12" CHISEL
1181	9" MOIL POINT
1183	12" MOIL POINT

RETAINERS:

<u>ARROW #</u>	<u>DESCRIPTION</u>
1190-TPT1	SOLID TYPE OVAL COLLAR RETAINER
1190R-TPT1	SOLID TYPE ROUND COLLAR RETAINER
1195-SUL1	RETAINER FOR ROUND COLLAR – WIDE BLADE CHISEL
1192-SUL2	RAPID CHANGE RETAINER
1291-TPT2	DELUXE QUICK CHANGE RETAINER

TEXAS PNEUMATIC HOSE WHIP SIZES FOR TX-CH2-4B, TX-CH3-4B & TX-CH4-4B

TX-2HW	3/8" MPT INTO PERMANENT BUSHING (TX-01008)
TX-4HW	HOSE SWIVEL 7/8"-24 INTO HANDLE (included with tool)

MANIFOLD AIR TO SEVERAL CHIPPING HAMMERS

TX-2AMF	15 GALLON, 8 OULET
TX-3AMF	2.5 GALLON, 4 OULET

MOISTURE FREE AIR

TX-MSS-400	400 CFM MOISTURE SEPARATING SYSTEM
TX-MSS-800	800 CFM MOISTURE SEPARATING SYSTEM

SAFETY LOCK THE HOSE CONNECTIONS

TX-SLC1	SAFETY LOCK CABLE FOR 1/2" – 1-1/4" HOSE
TX-SLC2	SAFETY LOCK CABLE FOR 1-1/2" – 3" HOSE

KEEP TOOLS RUNNING SMOOTH

TX-TF001	AIR TOOL FLUSH
TX-PL001	AIR TOOL OIL